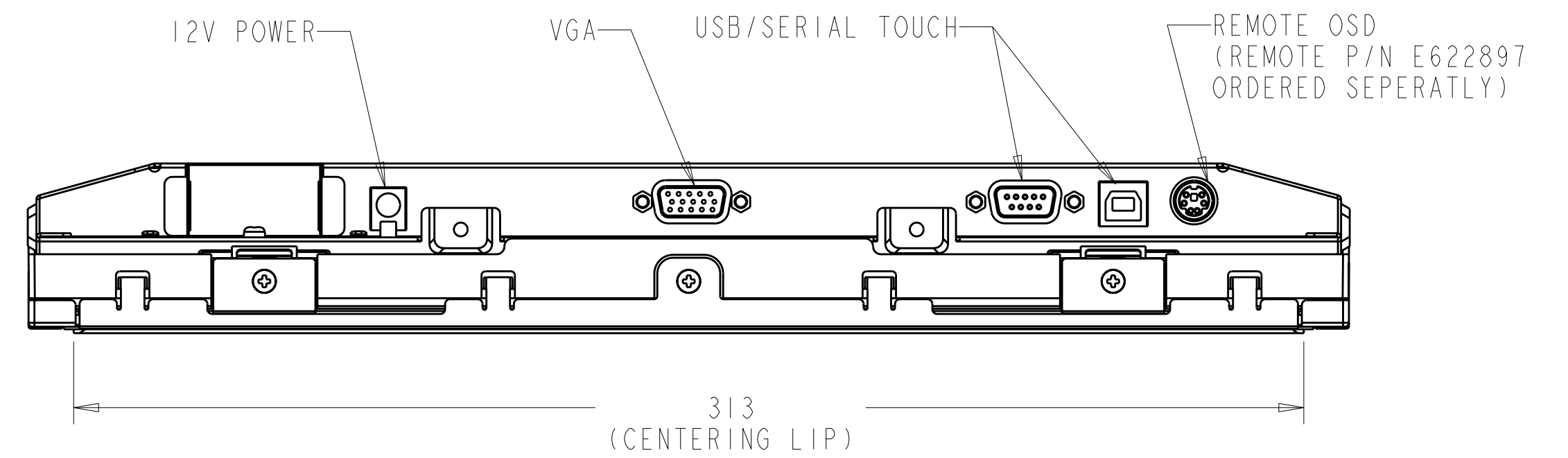
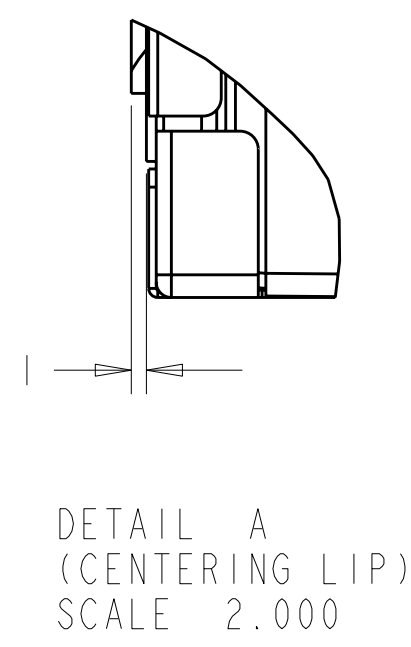
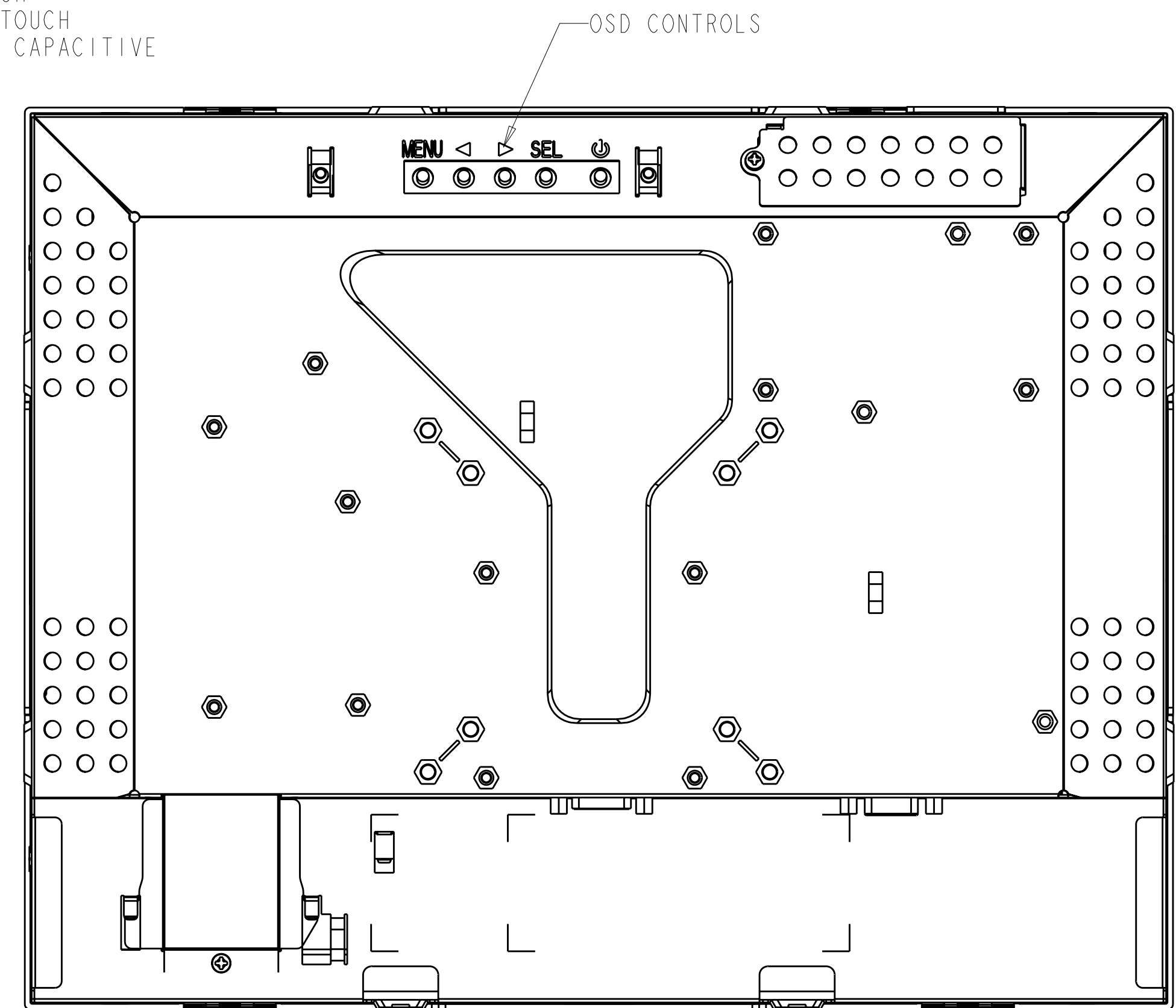
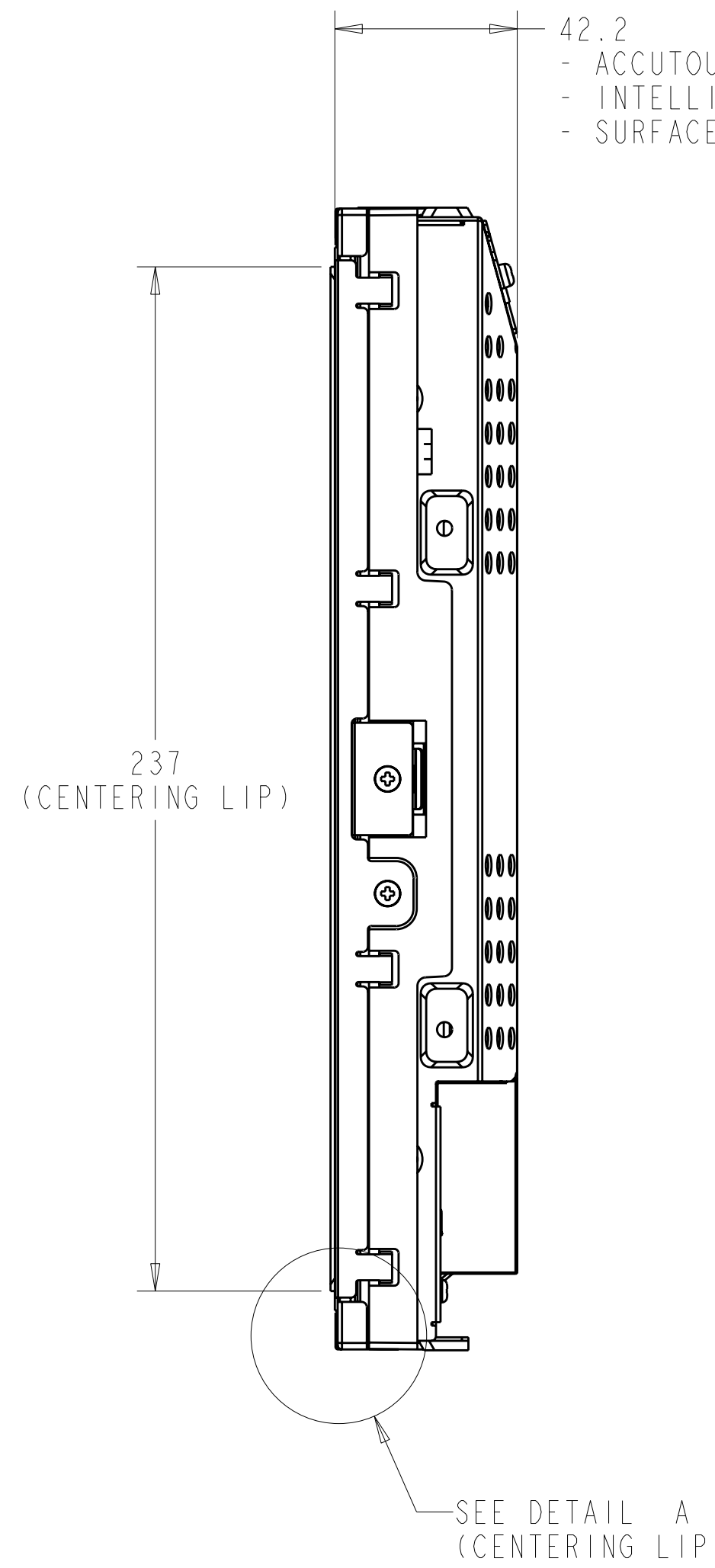
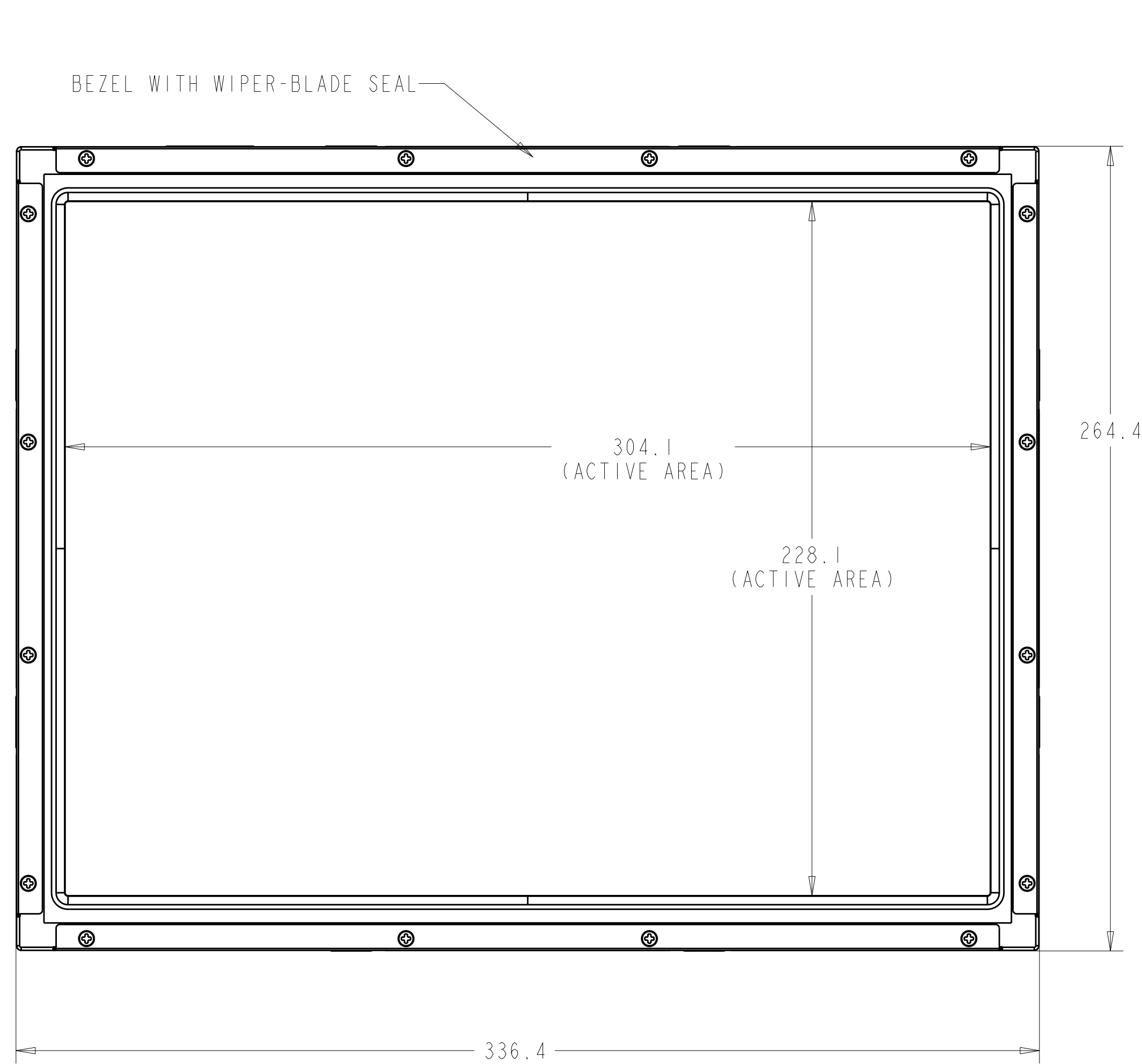
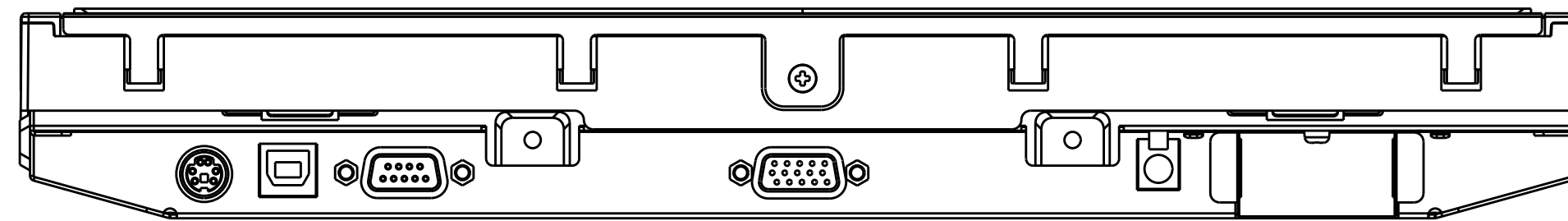
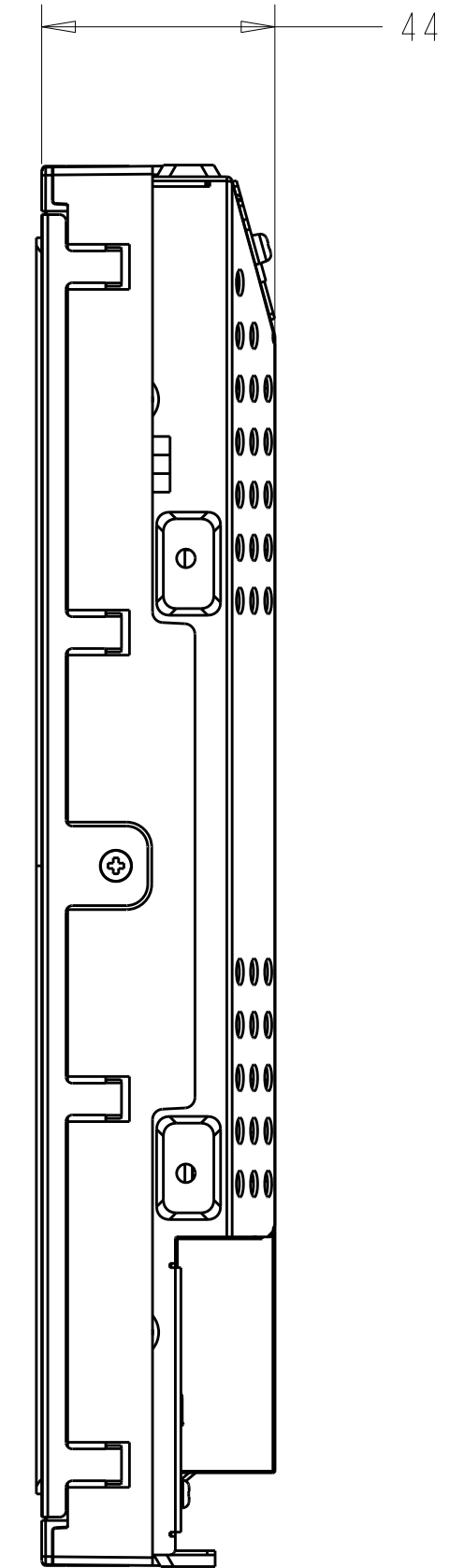
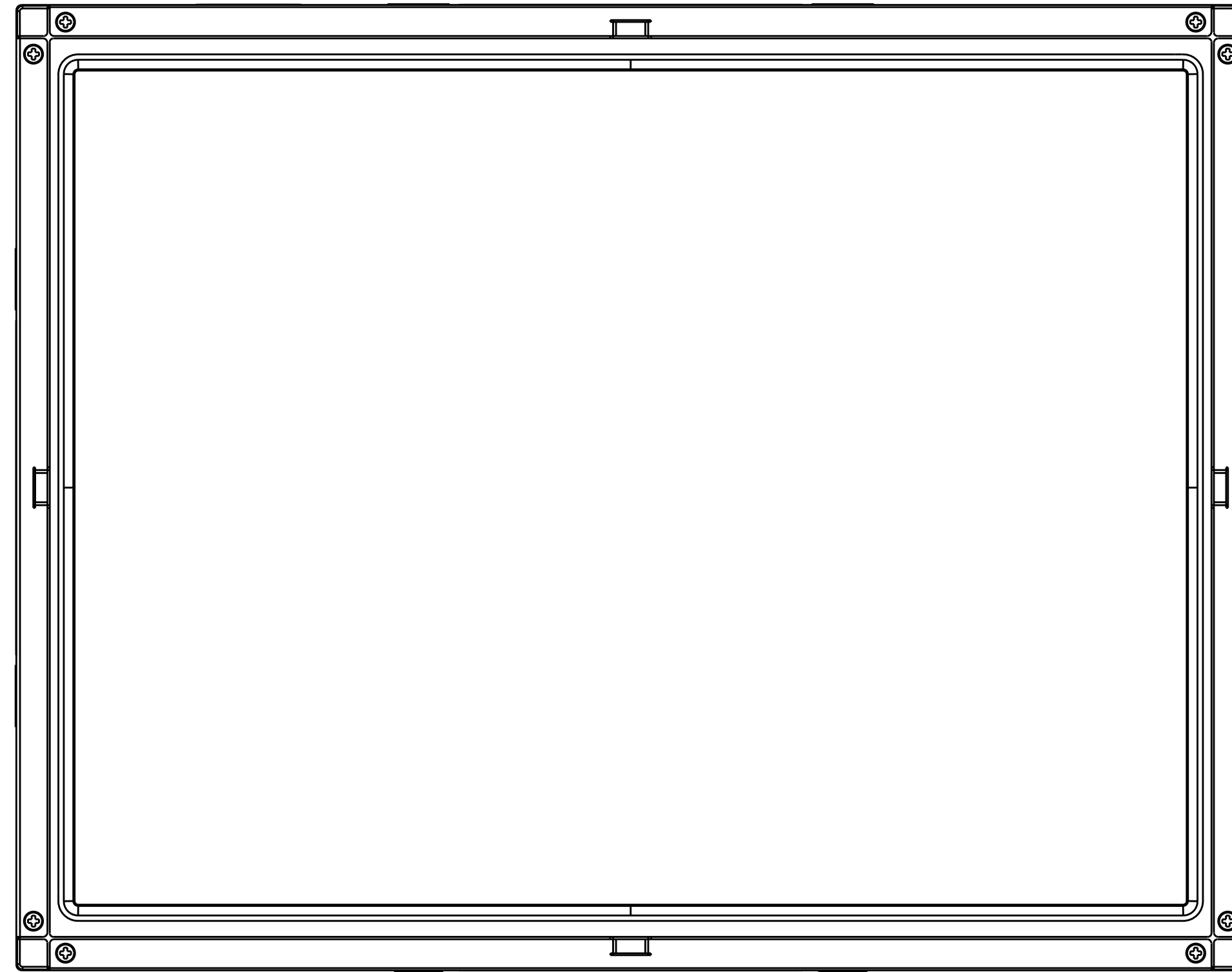


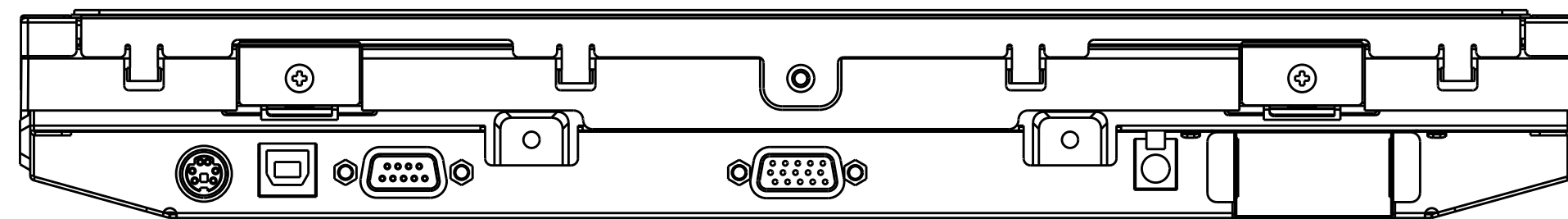
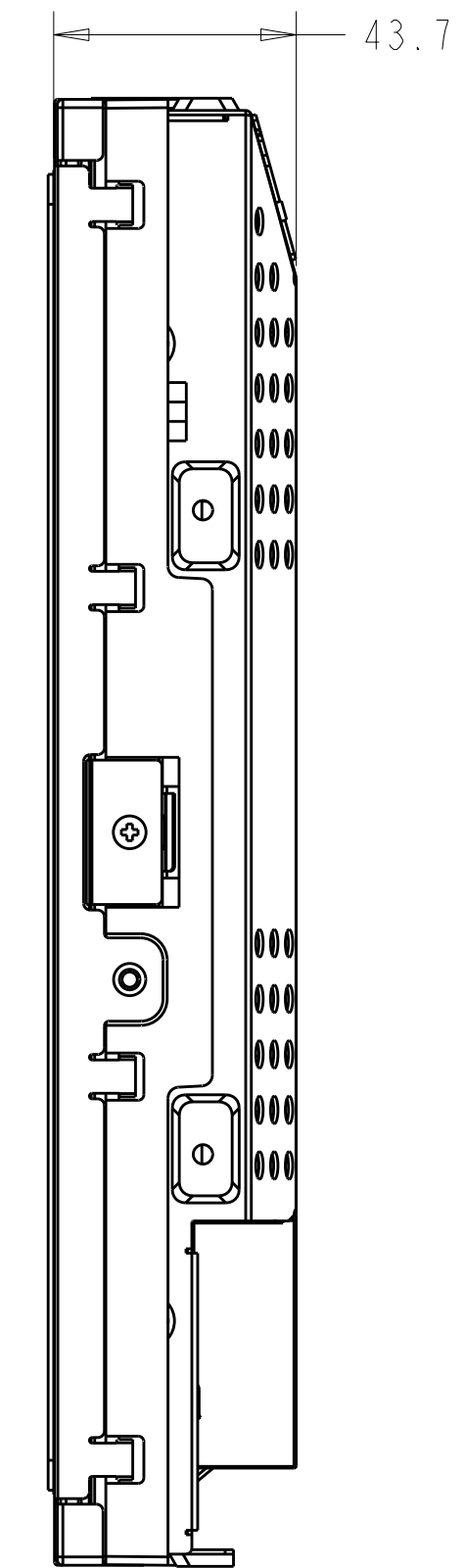
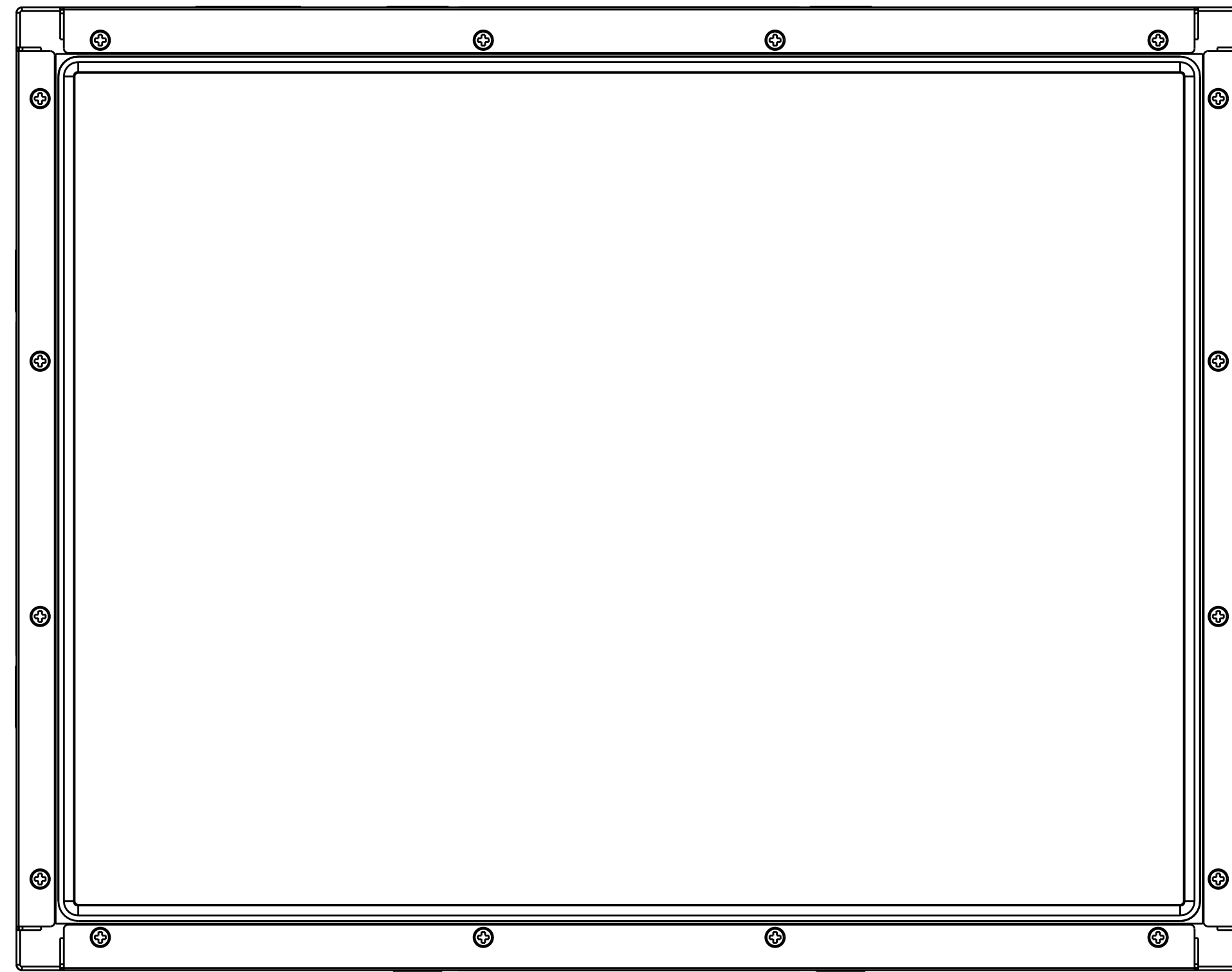
NOTES:
 1. ALL DIMENSIONS +/- 1.0MM UNLESS NOTED
 2. DIMENSIONS SHOWN ARE FOR ALL TOUCH TECHNOLOGIES UNLESS NOTED.



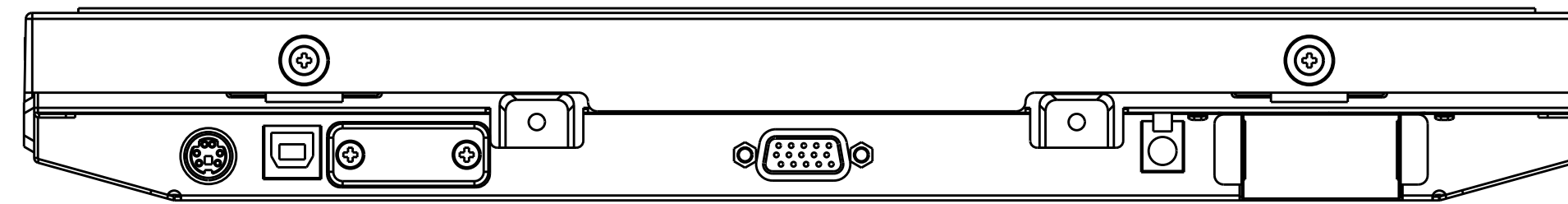
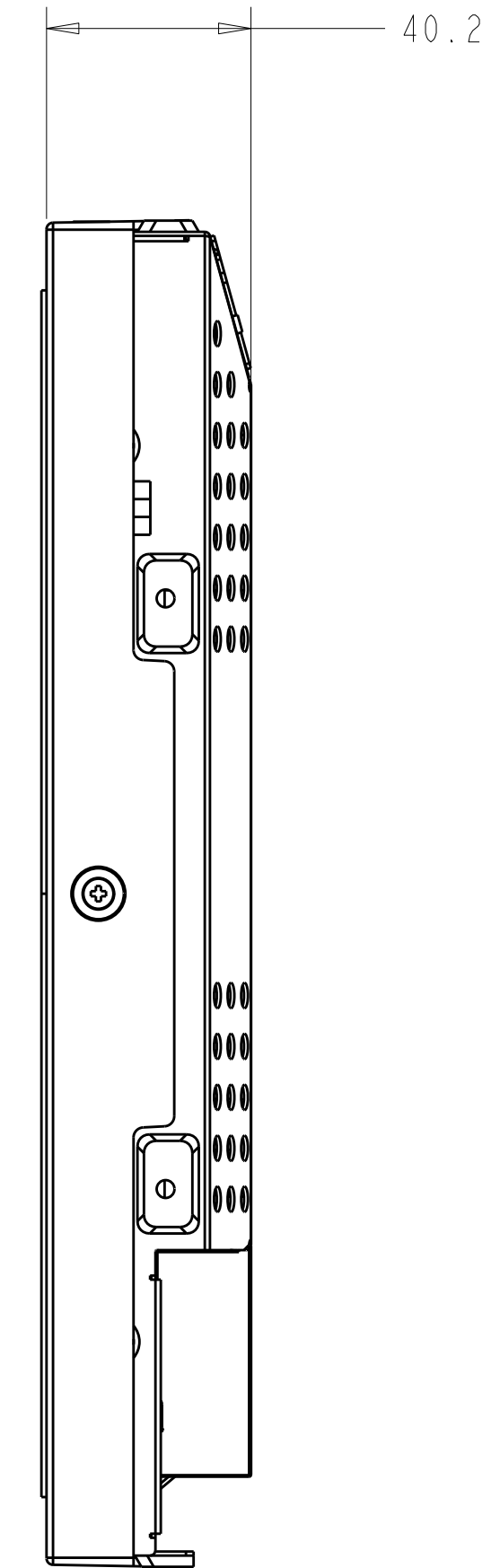
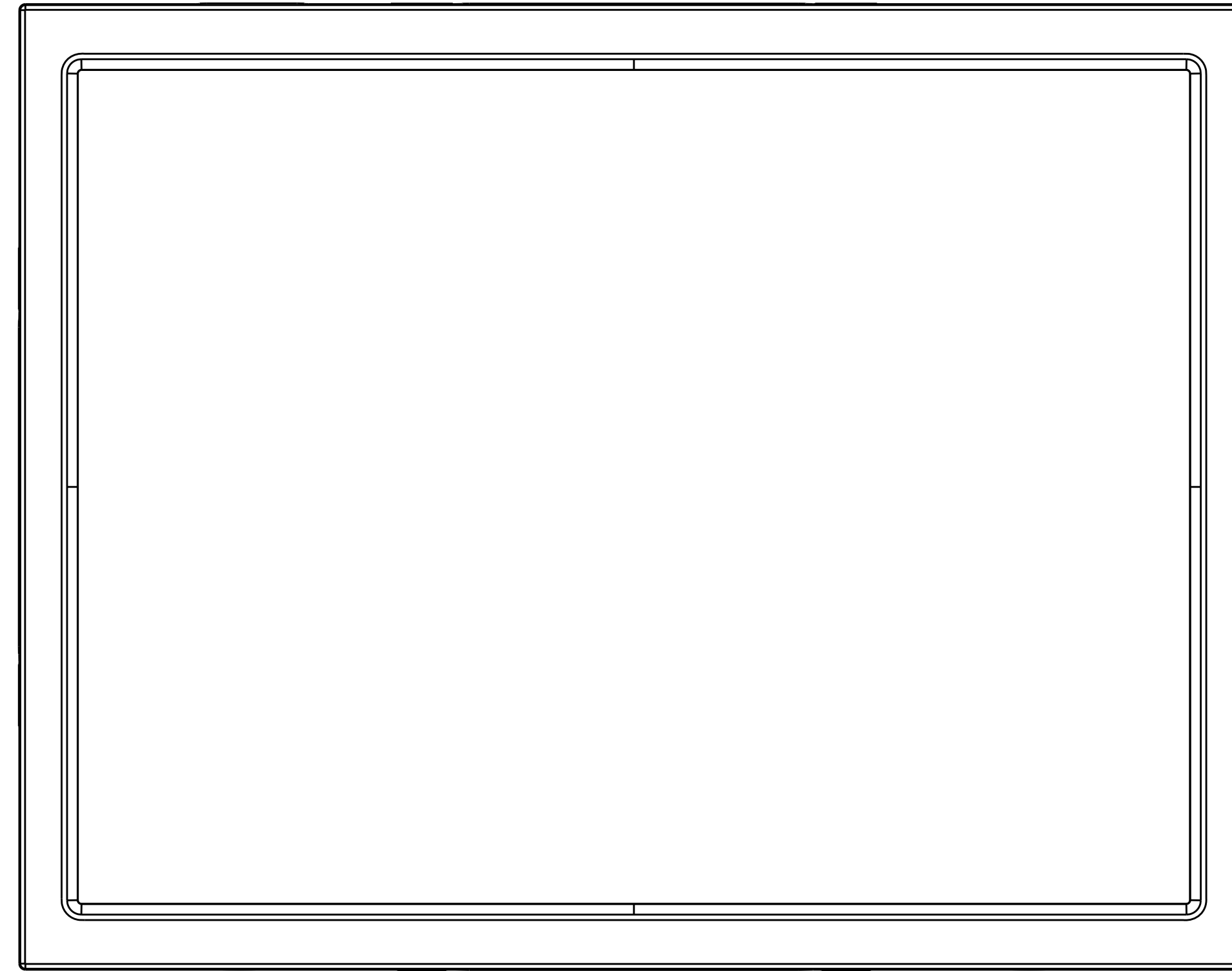
IR OPTION



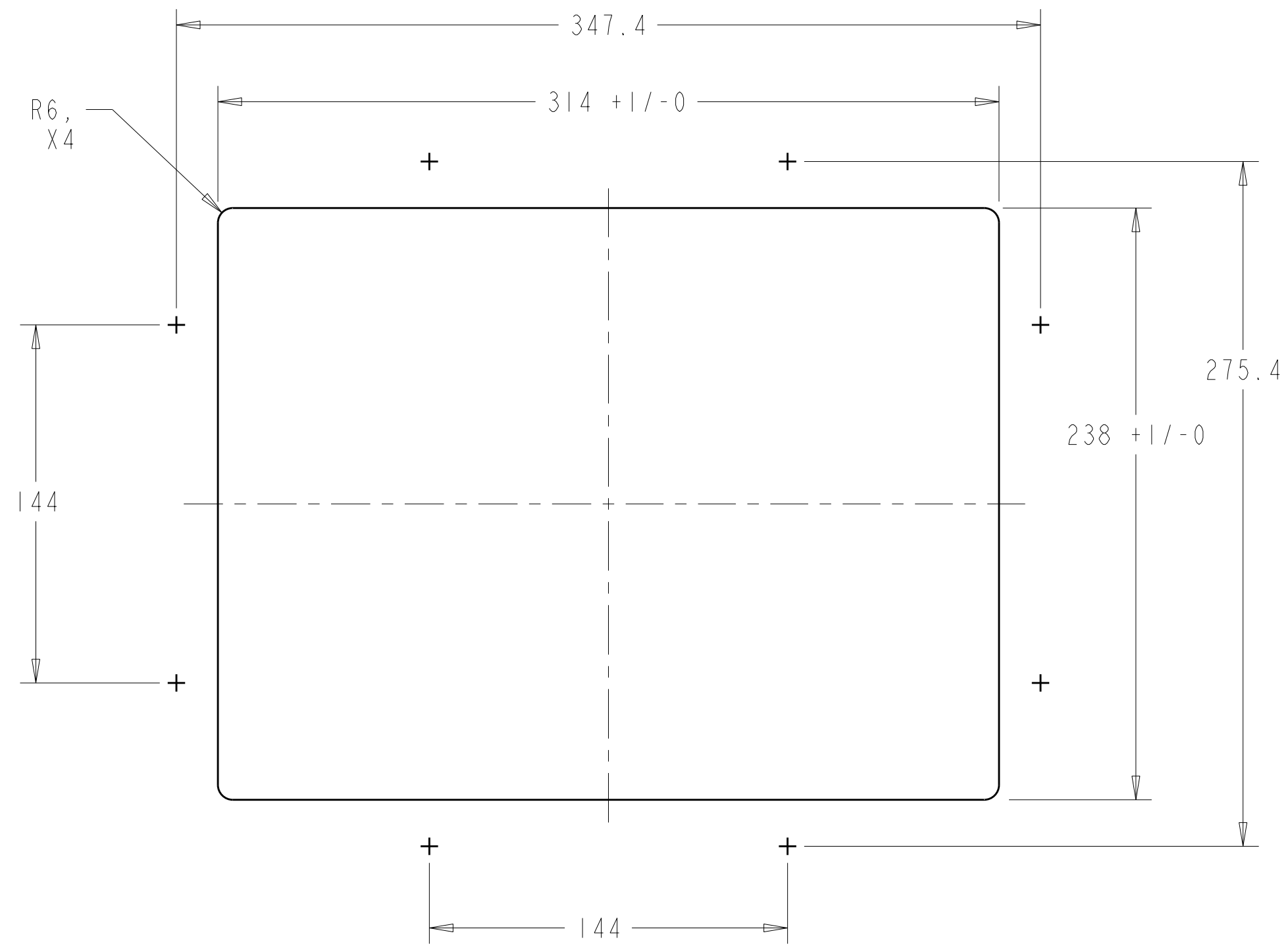
SECURETOUCH OPTION



APR OPTION



**RECOMMENDED CUSTOMER
PANEL CUT-OUT (SEE NOTE A)**



NOTE A
CUSTOMER PANEL MATERIAL:

1. WOOD: $\varnothing 4.5$ HOLES THRU FOR M4 SCREWS W/NUTS, OR, NO THRU HOLES, SCREWS FOR WOOD $\varnothing 4$ mm,

2. SHEET METAL: CONCEALED HEAD THREADED STUDS M4 W/NUTS.

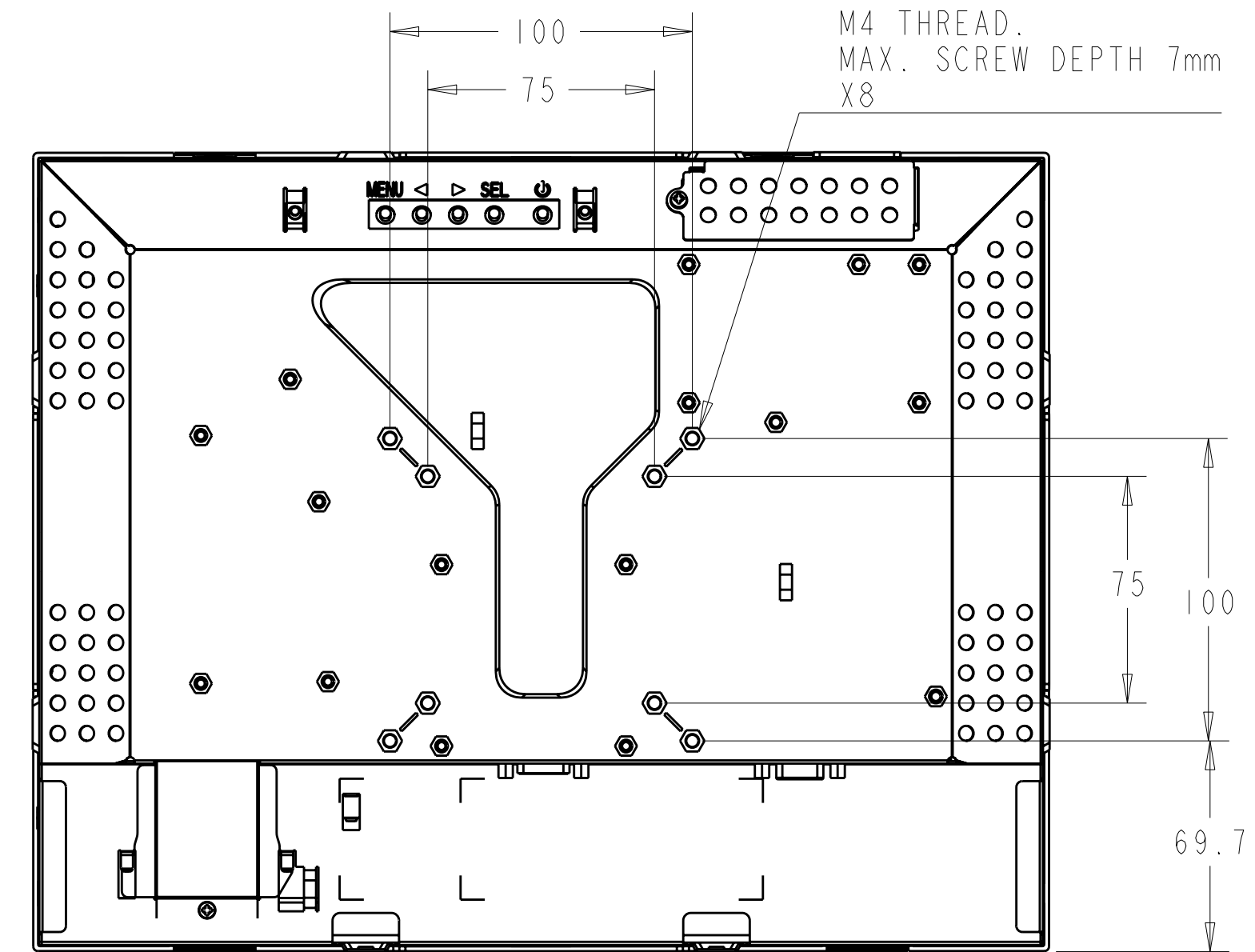
NOTE B

MONITOR INCLUDES 2 BRACKETS, ADDITIONAL BRACKETS AVAILABLE, P/N E203787

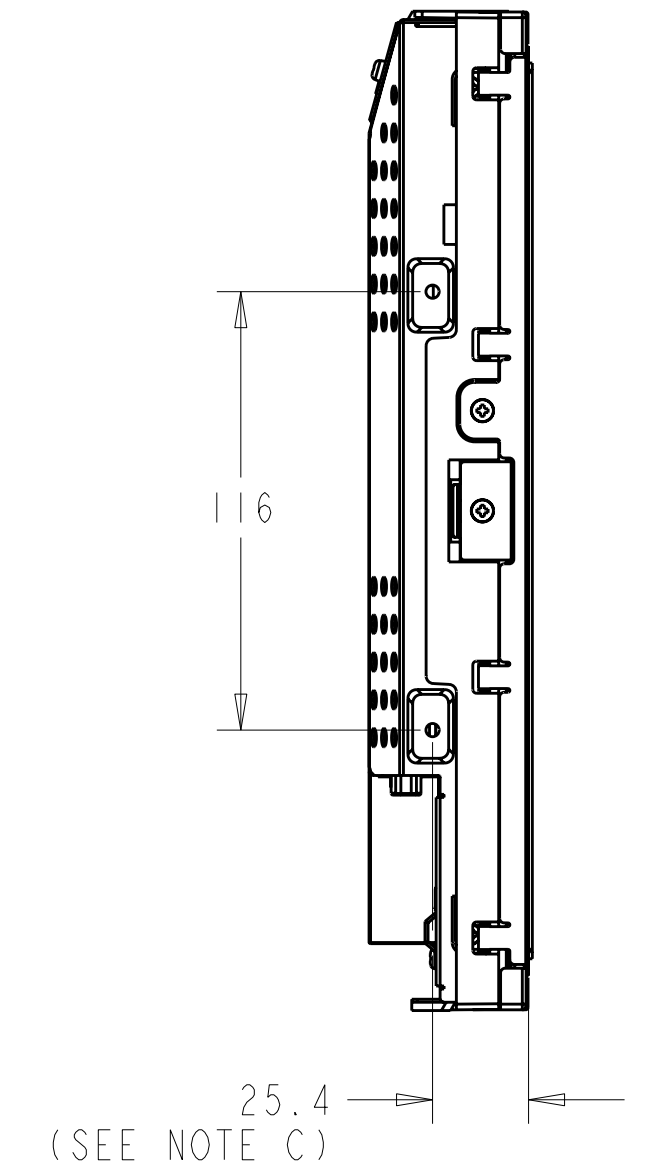
NOTE C

27.2 mm = SECURE TOUCH AND IR

VESA MOUNT

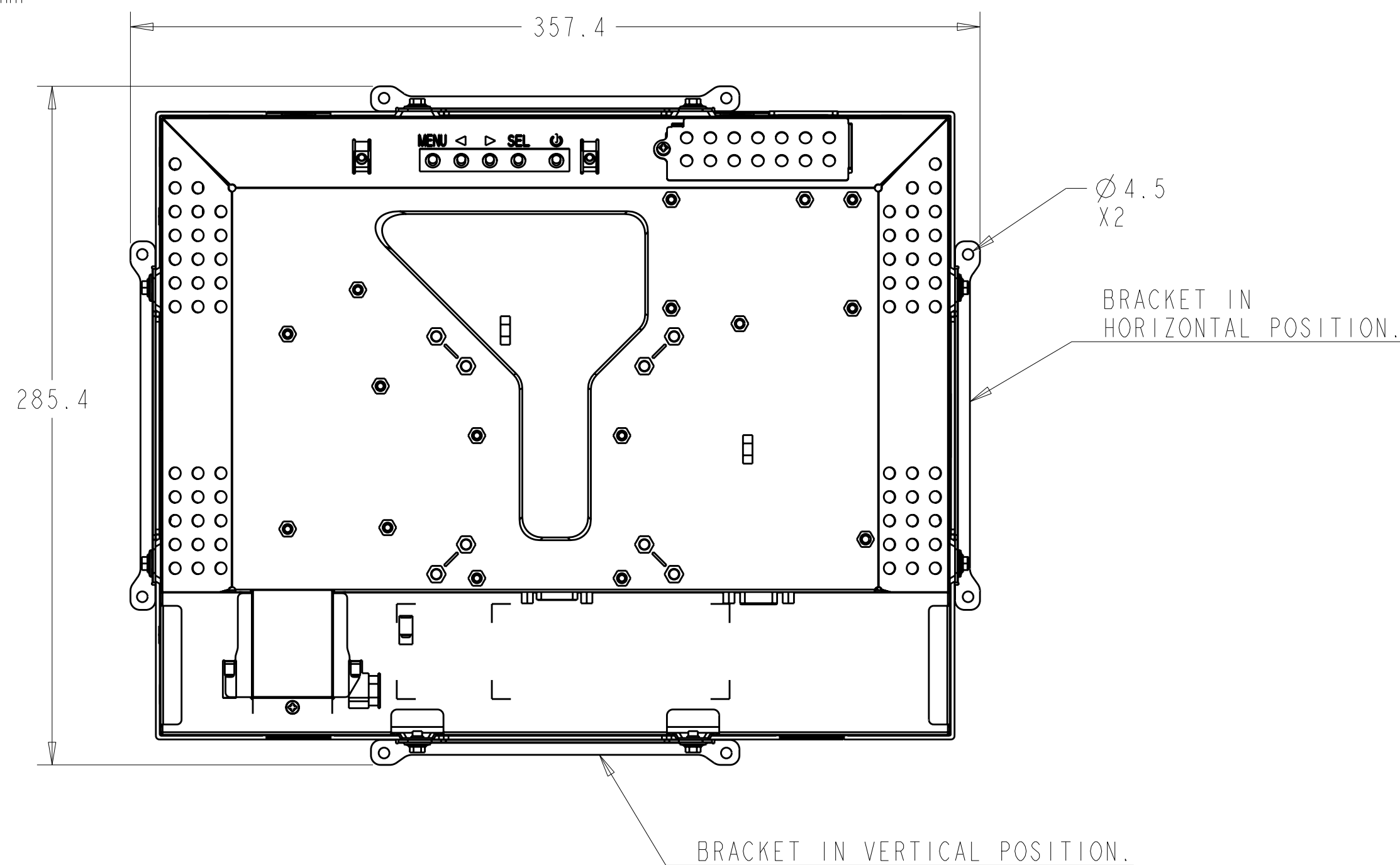


SIDE MOUNT, VERTICAL

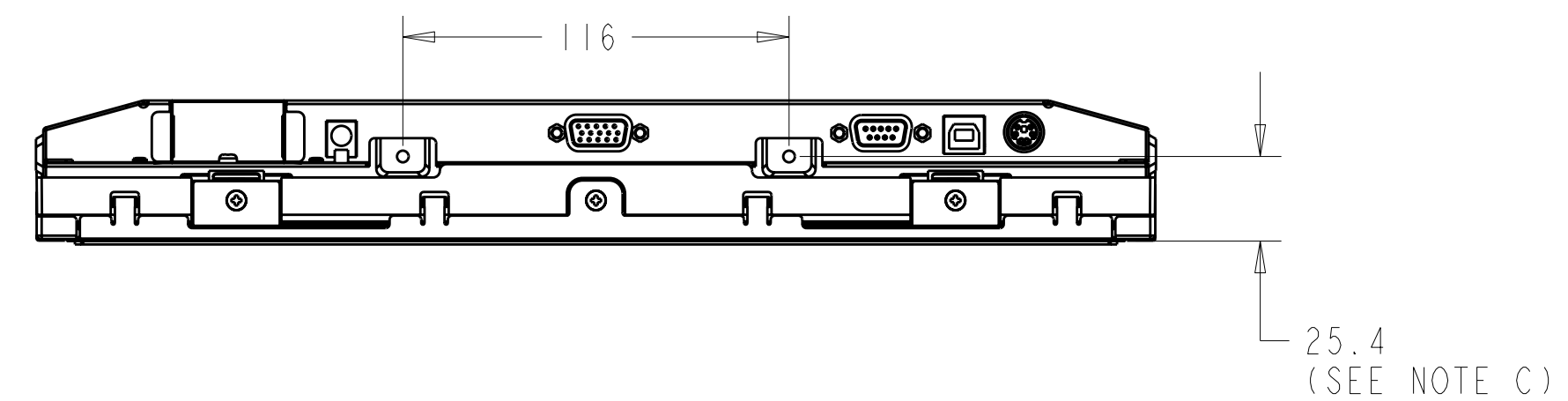


**REAR MOUNT WITH BRACKETS,
HORIZONTAL AND VERTICAL (SEE NOTE B)**

MOUNTING BRACKETS ACCOMMODATE MAX. 1.4mm MATERIAL THICKNESS.



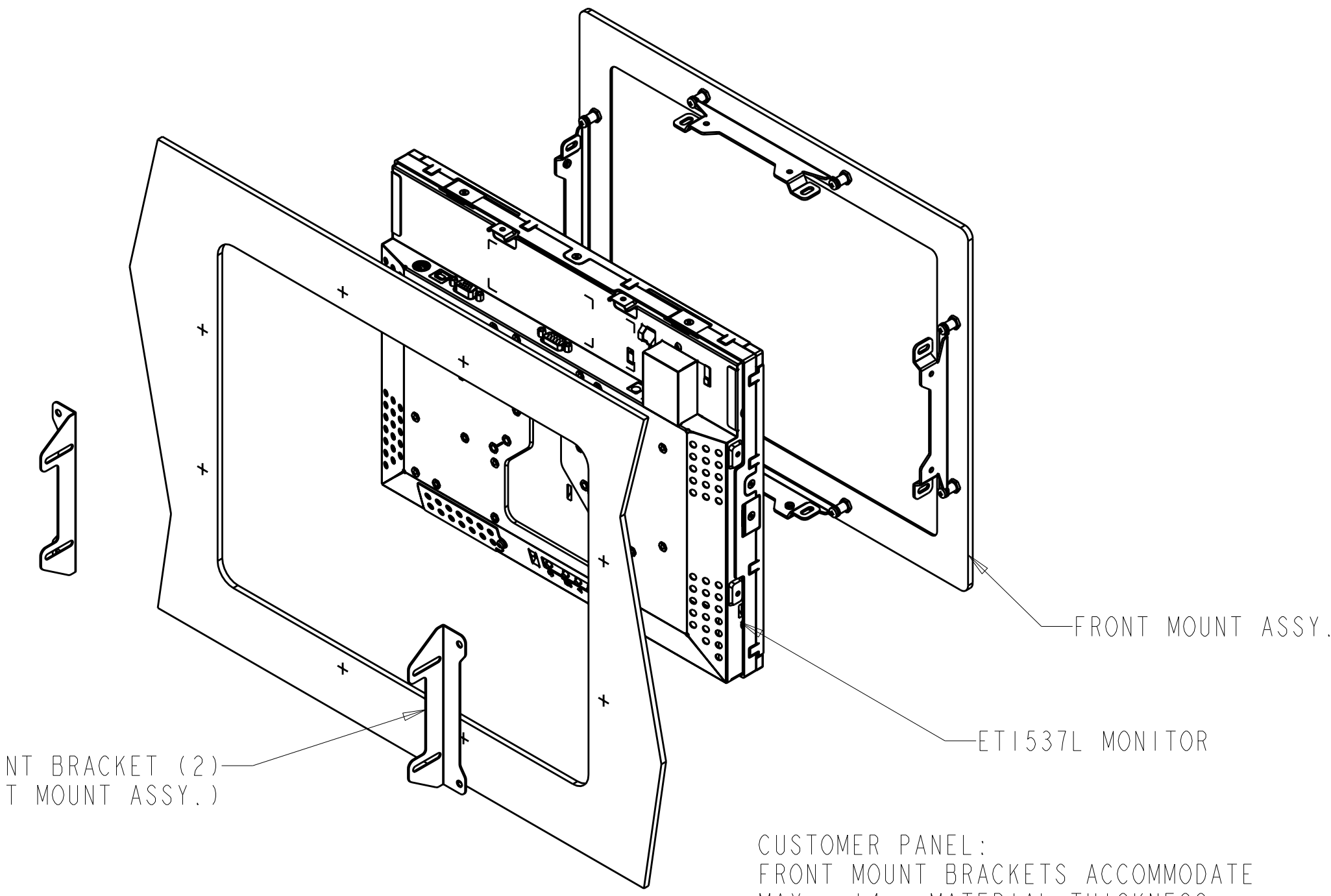
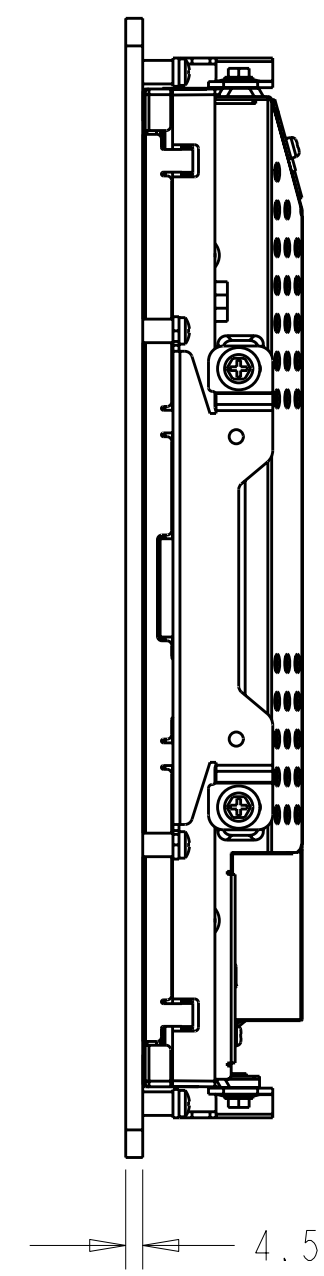
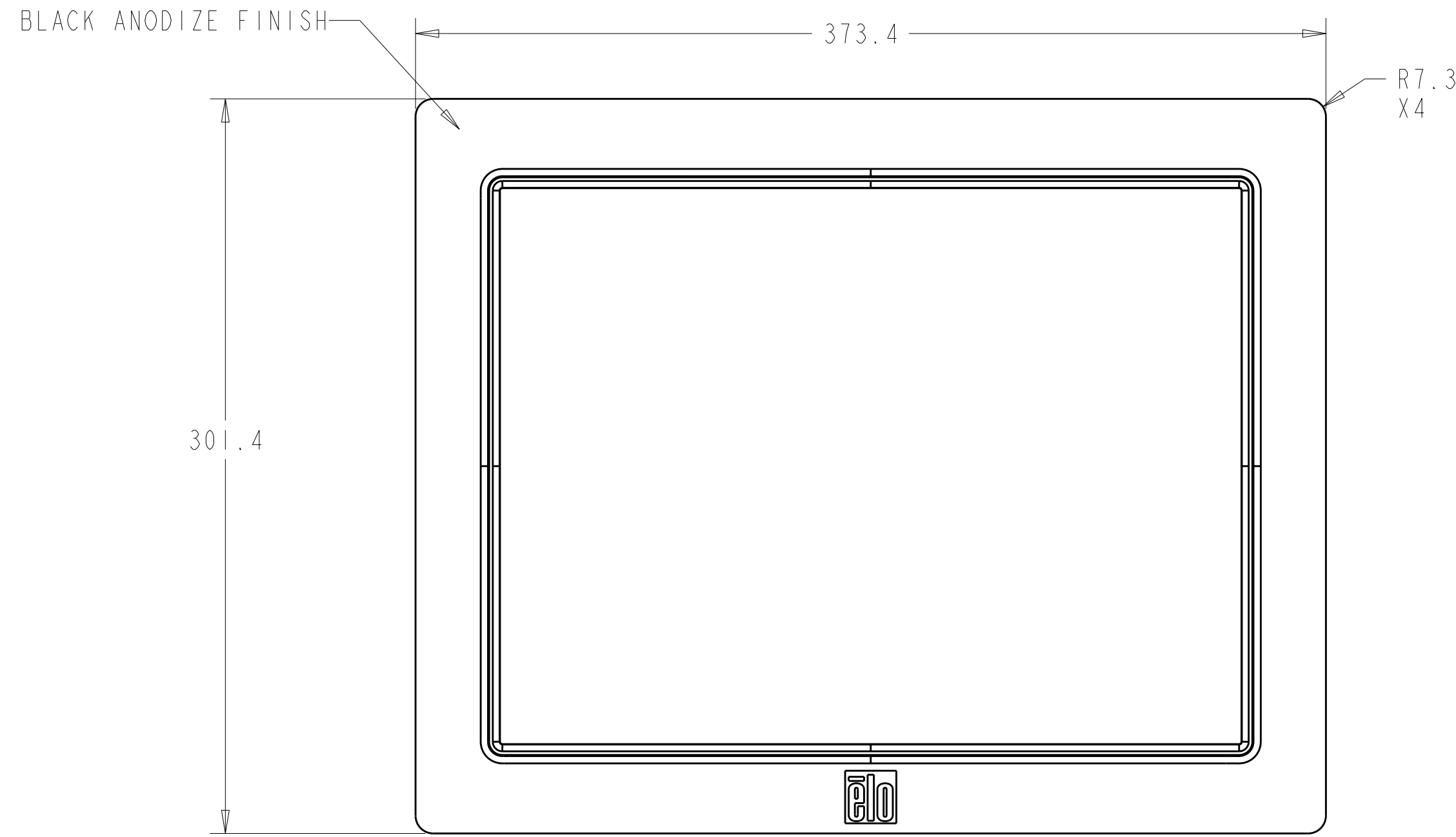
SIDE MOUNT, HORIZONTAL



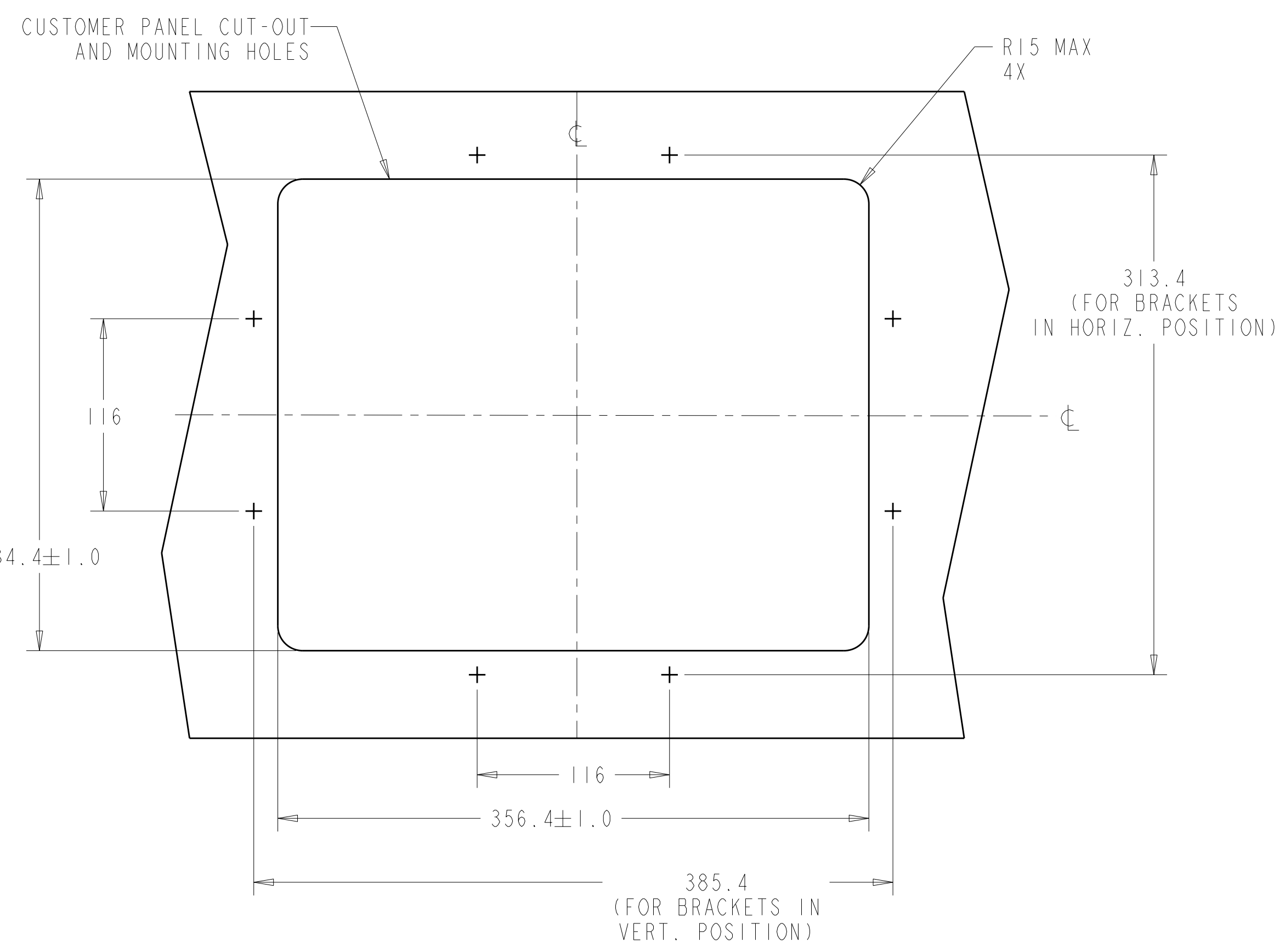
FRONT MOUNT OPTION

P/N E323425

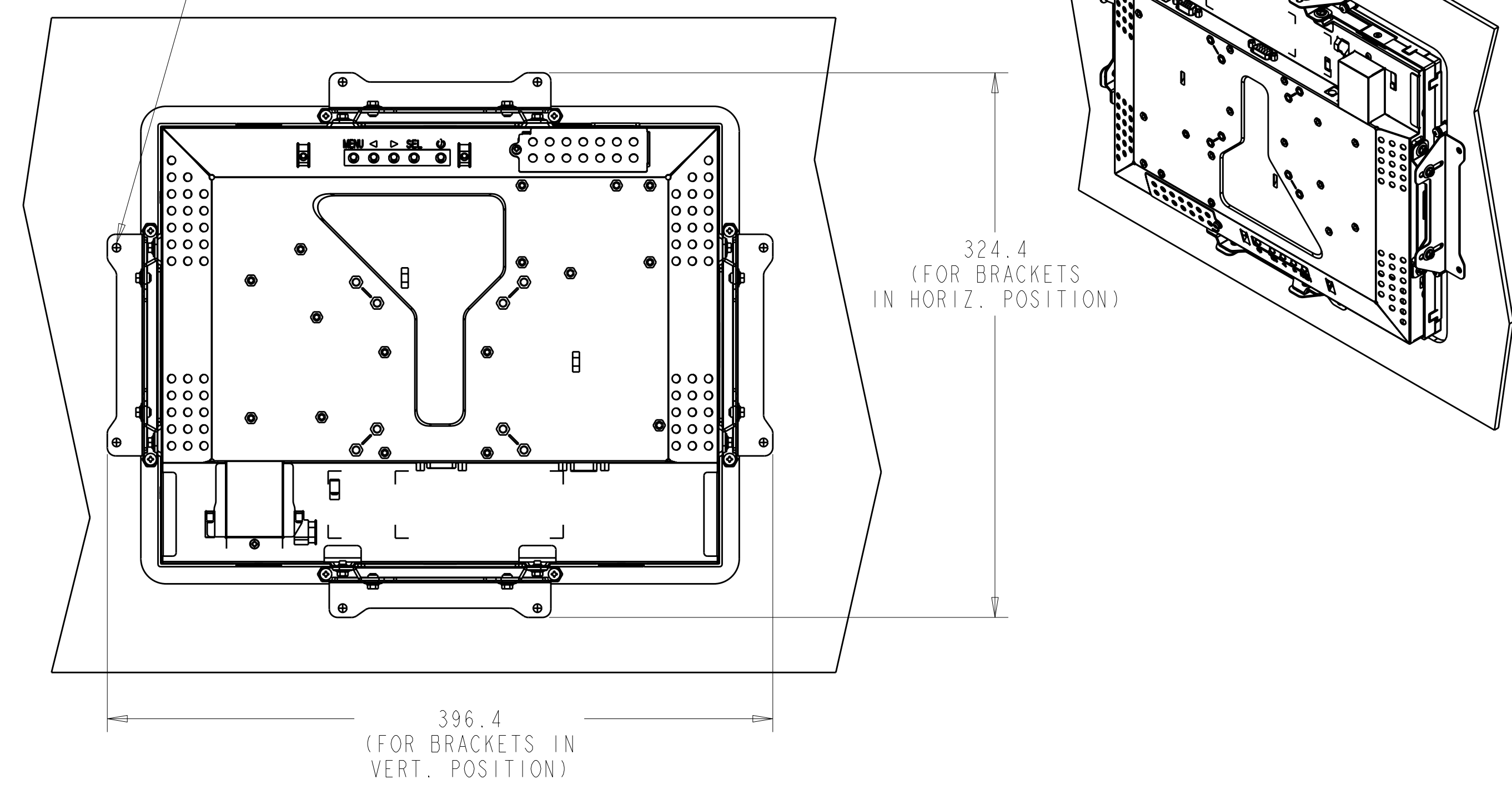
(ORDERED SEPERATLY, CUSTOMER ASSEMBLED)



CUSTOMER PANEL:
FRONT MOUNT BRACKETS ACCOMMODATE
MAX. 14mm MATERIAL THICKNESS



- NOTE:
1. IF CUSTOMER PANEL MATERIAL IS WOOD:
Ø4.5mm HOLES THRU FOR M4 SCREWS,
OR NO THRU HOLES, SCREWS FOR WOOD Ø4mm.
 2. IF CUSTOMER PANEL MATERIAL IS SHEET METAL:
CONCEALED HEAD THREADED STUDS M4 WITH NUTS.



DIMENSIONS ARE IN MILLIMETERS

RACK MOUNT OPTION
P/N E295006

(ORDERED SEPERATLY, CUSTOMER ASSEMBLED)

